

## 1. Will the Toilet Step Stool (TSS) fit in my bathroom?

The overall dimensions of the TSS when assembled is 24"x24"x22" (610mm x 610mm x 560 mm). The TSS can collapse for storage, the overall dimensions when collapsed is 24"x24"x4" (610mm x 610mm x 100mm).

How much space do you need around your toilet?

- **Width:** You need 12 inches or greater on each side of the toilet. Starting from the centre of the toilet bowl, measure both the right and left side. Please make sure there is enough space on both sides of the toilet.
- **Length:** You need 12 inches or greater in front of the toilet, measuring from the front tip of the toilet seat and outwards. Please make sure there is enough space in front of the toilet to step up onto the TSS and to swing/close any doors.
- If you are not sure if the TSS will fit in your bathroom, please refer to the *Will the Toilet Step Stool Fit in Your Space?* guide (see page 3).

## 2. Does the TSS arrive assembled?

The TSS is shipped in its collapsed state, you will need to assemble the TSS. The TSS is light weight (~12lbs) and simple to assemble. CanAssist provides a user manual and an instructional video with information about assembling, using, cleaning, and storing the step stool. There is also a sticker under the base of the platform to serve as a quick reference guide for assembly and storage.

## 3. What optional features come with the TSS?

The TSS includes a number of optional features, you are not required to use them. You may choose to use none, some, or all of the optional features. The optional features are:

- **Toilet paper holder:** designed to bring the toilet paper roll closer to children. It accommodates regular sized toilet paper rolls and can be attached on either the right or left handle.
- **Mounting bracket:** allows the TSS to be fixed to the toilet for added security and stability.
- **Baby Bjorn toilet seat:** a toilet seat that accommodates children's smaller size and supports balance, comfort, and stability.

#### **4. Who is the TSS intended for?**

The TSS is designed to offer more stability and a greater sense of security for children when toileting. The step stool is designed to support independent toileting by bringing children close to the toilet seat and providing handles to help balance. The TSS is primarily intended for children between the ages of 2-5 years, however older children can benefit from this level of support.

The TSS is designed primarily for use on adult-size toilets. There are three height options, low (5" (127mm)), medium (6.5" (165mm)), and high (8" (203mm)). Note: the maximum load on the step stool is 113kg/250lb.

#### **5. Are there any obligations or expectations with taking the TSS?**

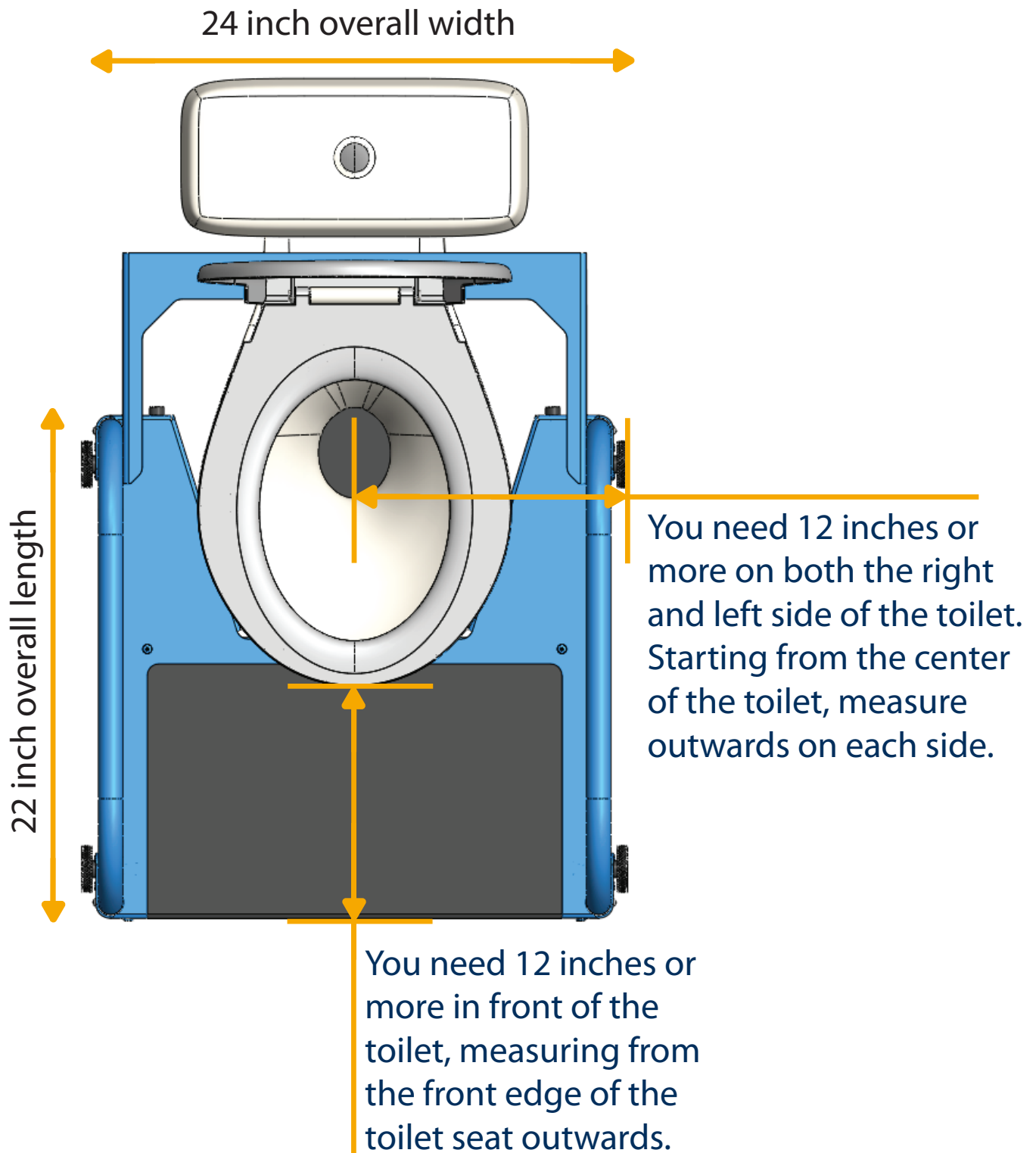
The TSS is provided free of charge, this includes the cost of shipping the step stool to your child care program. The expectation is that you use the TSS. If you are no longer using it we ask that you please contact us at [canassist@uvic.ca](mailto:canassist@uvic.ca) so that we can re-allocate it.

We may send an optional survey in the future about the TSS.

#### **6. What is the warranty period?**

CanAssist will provide 1-year of warranty for the TSS, including shipping costs, and an additional (second) year of support with shipping cost covered by the child care centre. After the two years, CanAssist is happy to provide maintenance and support for the TSS on a fee-for service basis.

# Will The Toilet Step Stool Fit Your Space?





University  
of Victoria

**12 Inch Ruler**

**Clearance Ruler  
Print to Scale on  
8.5"x11" Paper**