



University
of Victoria

Toilet Step Stool

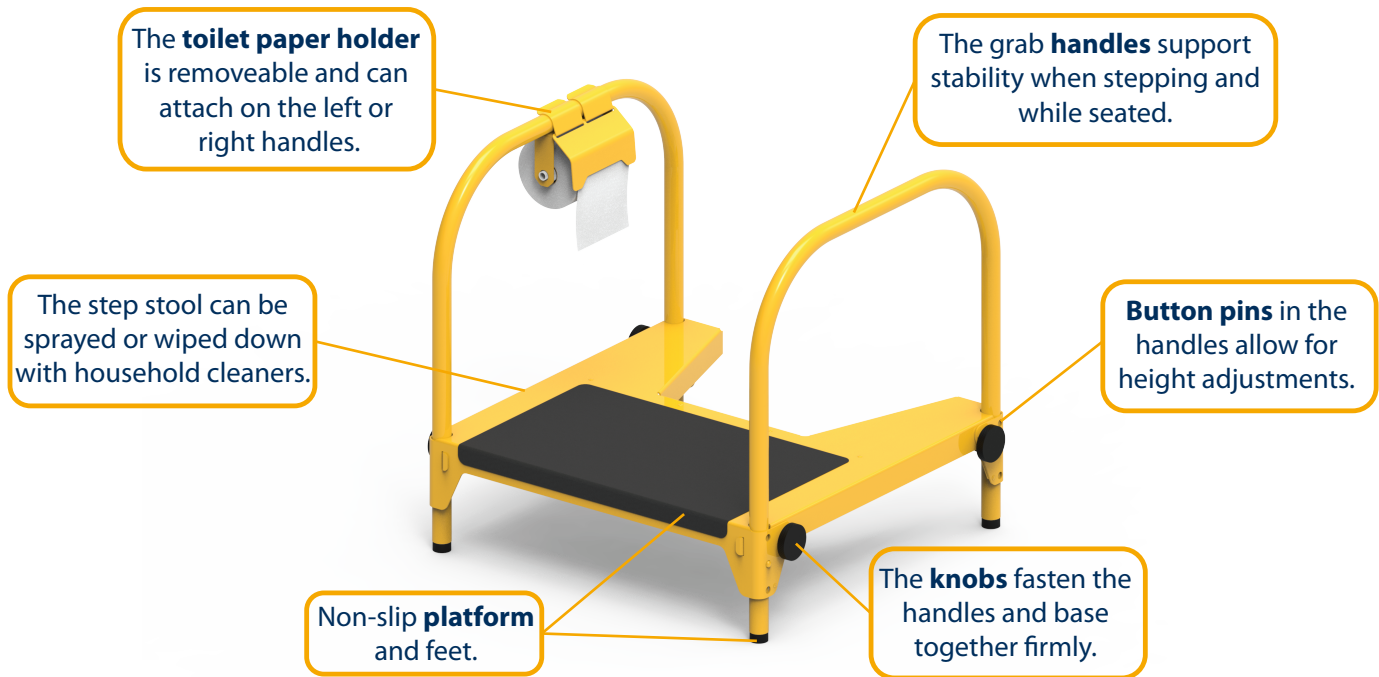
Instruction Manual



Issued 26/01/2021

Toilet Step Stool Overview

The step stool is designed to offer more stability and a greater sense of security for children when toilet learning. The step stool is designed to support independent toileting by bringing children closer to the toilet seat and providing handles to help balance.



Technical Information

Cleaning

The step stool can be cleaned with household cleaners or diluted bleach. Test any new cleaners in a small area on the underside of the platform first.

Usage

The step stool is designed for children but supports up to 250lbs/113kg. Never place objects under the step stool's feet. The step stool should always be placed directly on the floor.

Support

For additional info, spare parts, etc., please visit www.tss.canassist.ca

CAUTION
Maximum Load
113kg / 250lb

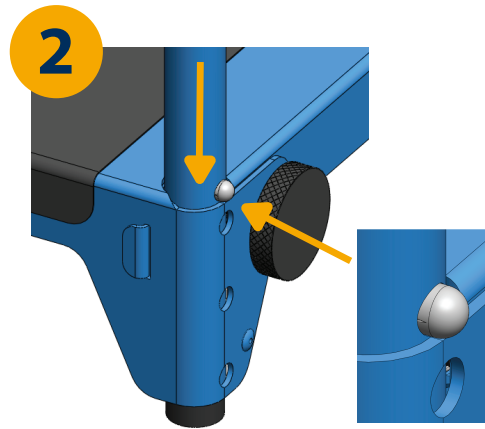
Platform Heights
Low - 5" (127mm)
Med - 6.5" (165mm)
High - 8" (203mm)

Overall Dimensions
Assembled: 24"x24"x22"
(610mm x 610mm x 560mm)
Stored: 24"x24"x4"
(610mm x 610mm x 100mm)

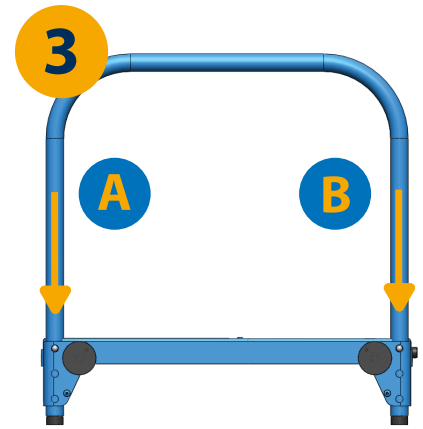
Assembly Instructions



Loosen the 4 knobs on the step stool. Slide one handle into the platform with the button pins facing outward.

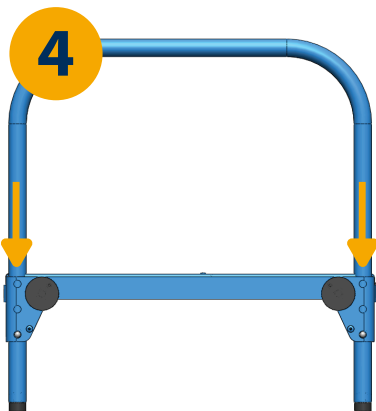


Once the button pins touch the platform, press one button pin in and insert the handle end slightly further into the platform. *

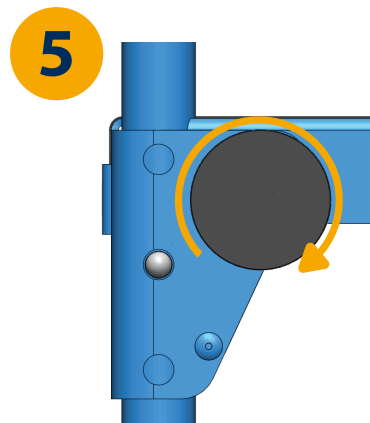


Press in the other button pin and work side to side (A-B) to slide the handle down evenly.

Do not use objects to push in the pins, this may cause damage.



Continue to work side to side until the desired height setting is reached. Ensure the button pins have clicked into place.



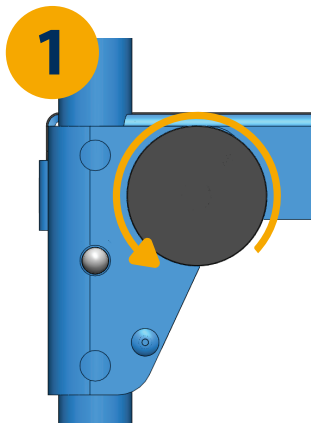
Once at the desired height, tighten the knobs firmly. * (Clockwise)



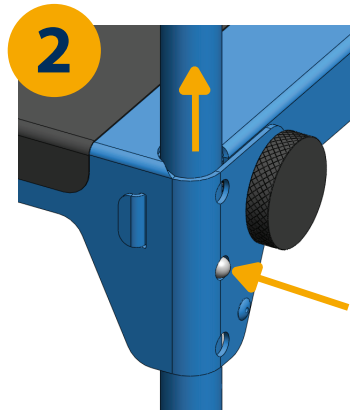
Repeat steps 1-5 on the other handle. Make sure all 4 corners are set to the same height.

To avoid wobbling and potential collapse of the step stool, ensure all 4 pins are clicked into place and all 4 knobs are tight.

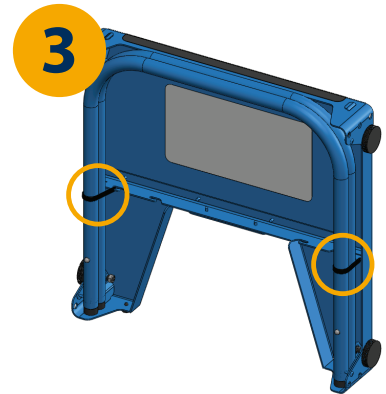
Storage Instructions



Loosen the knobs until they stop turning.
(Counterclockwise)

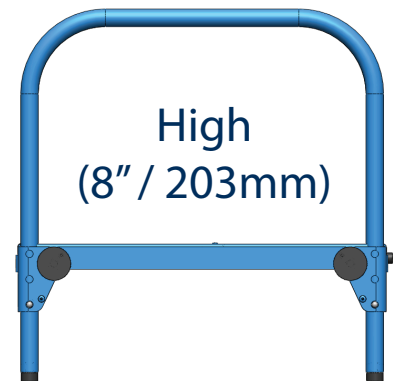
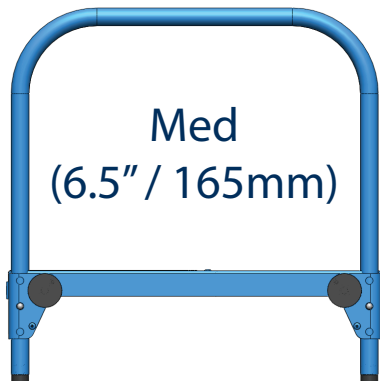


Press button pins in and pull the handle out of the platform. Work side to side incrementally as described step 3 of the assembly instructions to pull the handle out evenly.



Store handles below the platform. Pull outward on the rubber straps (circled) and wrap them around the handles. Hooks are provided to attach the straps.

Adjusting the Height of the Platform



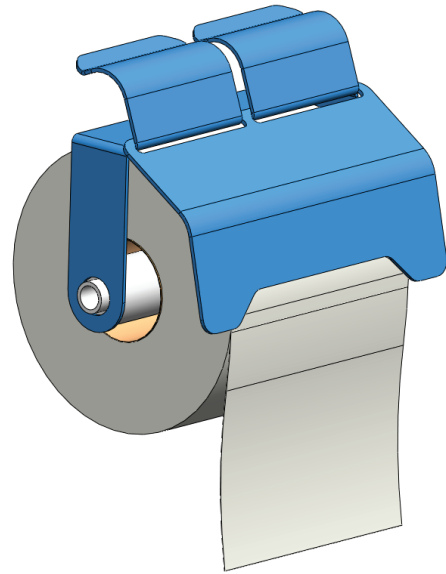
There are 3 platform height settings as shown above. To adjust the height of the platform: loosen the knobs (counterclockwise), press the button pins in and move the handles up or down using the same back and forth technique as in the assembly instructions. Once at the desired height, tighten the knobs (clockwise).

Toilet Paper Holder

Attaching

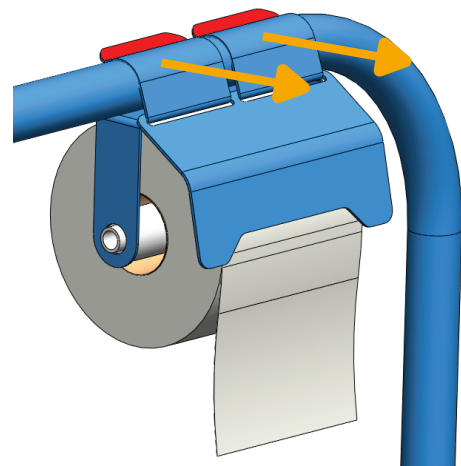
The toilet paper holder brings the toilet paper closer to the user and can be attached on either side of the step stool handles.

To attach the toilet paper holder, push it onto the handle in the desired location. The toilet paper holder should snap firmly onto the handle.



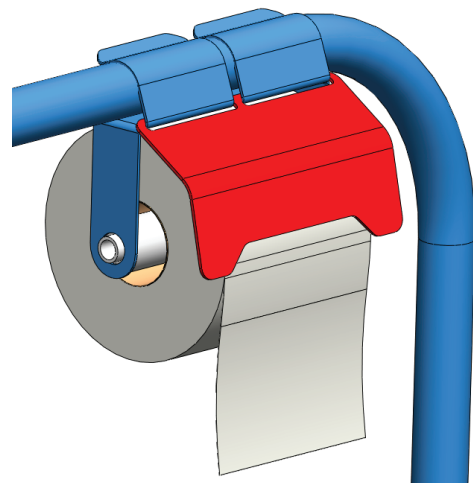
Removing

To remove the toilet paper holder, grasp the highlighted red tabs shown and pull it in the direction of the yellow arrows.



Anti-Roll Flap

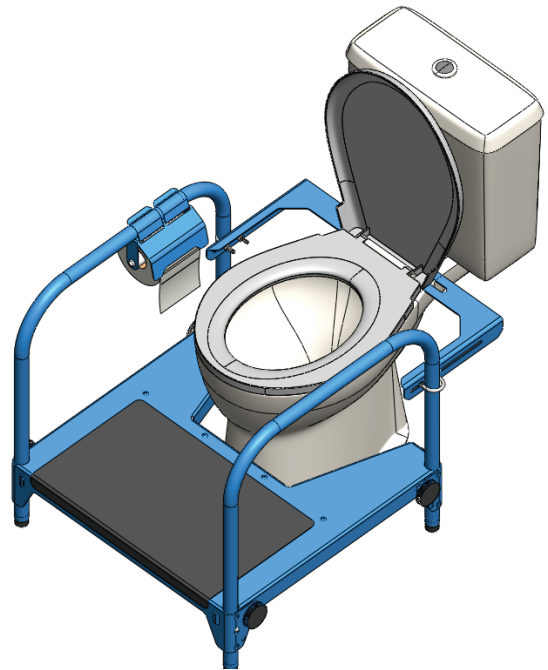
The flap highlighted in red prevents excessive unrolling and keeps the toilet paper roll clean and dry. The flap can be taken off when the toilet paper holder is removed from the handle.



Installation Instructions

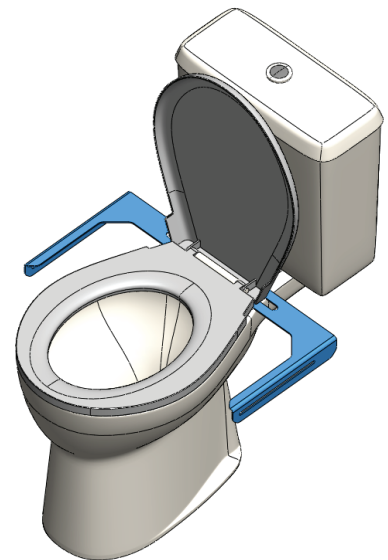
Attaching the step stool to the toilet using the mounting bracket stops the step stool from being moved around and will prevent tipping.

Installation is optional.



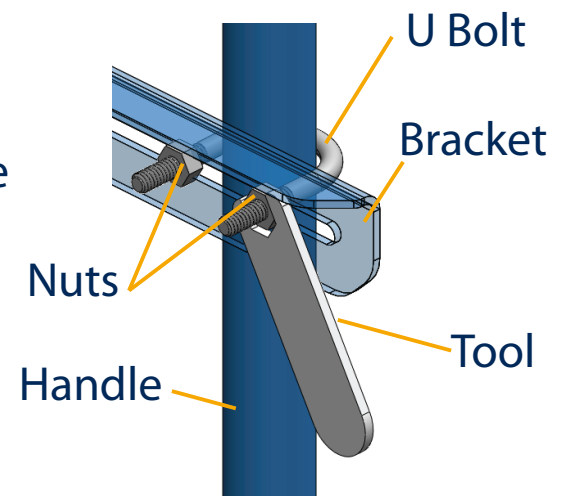
1 Install the Bracket

- Remove the toilet seat from the toilet.
- Place the mounting bracket over the toilet seat bolt holes.
- Reinstall the toilet seat with the mounting bracket sandwiched between the seat and toilet as shown to the right.



2 Install the Step Stool

- Place the step stool in position around the toilet as shown in the top right image.
- Slide the U bolts over the step stool handles and tighten them with the provided 7/16" nuts and tool as shown to the right.



Troubleshooting Guide

Assembly

Handle does not slip into the platform

Ensure knobs are backed off fully (counterclockwise)

Handle is stuck in the platform

Ensure button pins are pressed in

Ensure handle is being inserted evenly

Button pins do not click in

Ensure button pins are located in the same platform hole height setting

Storage

Handle does not slip out of the platform

Ensure knobs are backed off fully (counterclockwise)

Ensure button pins are pressed in

Ensure handle is being removed evenly

Rubber straps are difficult to attach

Pull straps outward before wrapping around handle tubes

Use the strap hook closest to the handles

Questions? Email canassist@uvic.ca
or visit www.tss.canassist.ca